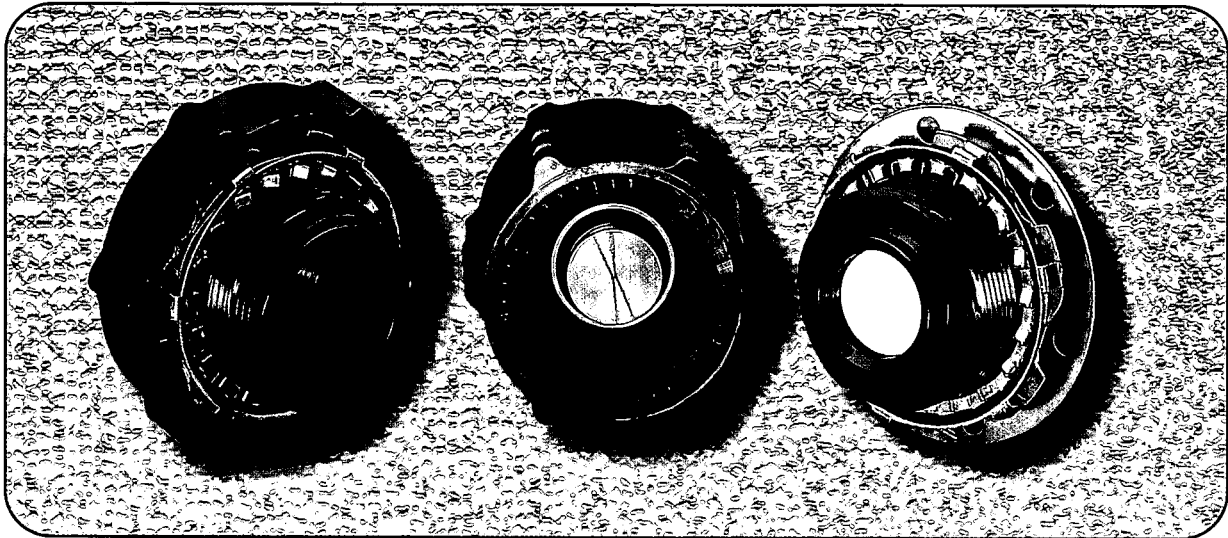


New 145/155 Series Soft Sealing Ground Support Coupling

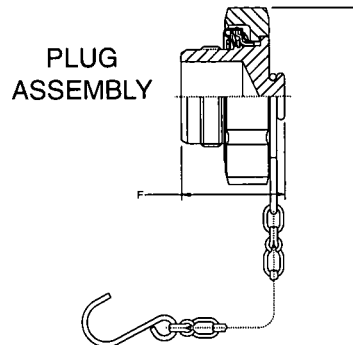
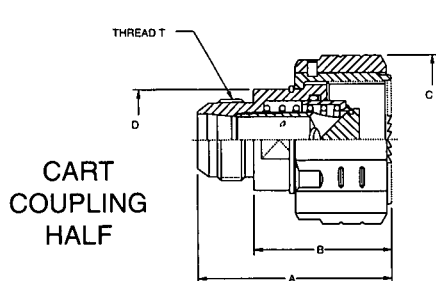


The Aeroquip 145/155 series couplings have been the industry standard for ground service applications for over 50 years. During that time, Aeroquip has continuously improved the design to increase reliability, safety and ease of operation. Now, Aeroquip has enhanced the design even more to meet industry requirements for a leak-free, environmentally friendly hydraulic system.

Aeroquip's latest design improvements include an elastomeric soft seal in both the aircraft and ground cart coupling halves. These seals virtually eliminate fluid spillage and air inclusion during operation. In addition, new innovative "blunt start" threads have been added to the ground cart and aircraft couplings to prevent cross threading. Other improvements include the addition of a retaining ring in the ground cart half, a totally redesigned cart dust plug, and a new low profile aircraft dust cap.

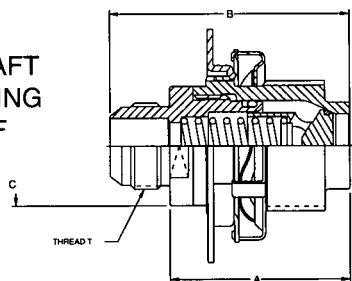
Design Features/Advantages

- Robust elastomeric soft seals will not get cut or damaged as quickly as thermoplastic or metal to metal seals
- Blunt start threads prevent cross threading
- Lightweight, quarter turn plug protects cart half nut against wear damage
- New low profile, lighter weight aircraft cap
- One-hand operation
- Qualified to the performance requirements of AS1709 and MIL-C-25427 for 1,000 and 5,000 psig operating pressures
- Fully interchangeable with all fielded Aeroquip 145/155 series couplings and is the only approved coupling to MIL-H-5440

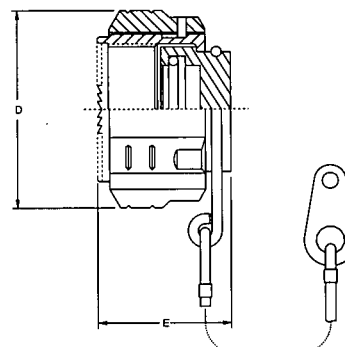


Cart Half Coupling						Plug Assembly	
Part Number	Thread T	A DIM	B DIM	C DIM	D DIM	Part Number	F DIM
AE73550E	7/16-20	1.99	1.43	1.58	.74	AE73102F	1.45
AE73550F	1/2-20	1.85	1.29	1.58	.74	AE73102H	1.55
AE73550G	9/16-18	2.02	1.45	1.80	.96	AE73102K	1.66
AE73550H	3/4-16	2.30	1.63	1.80	.96	AE73102M	2.00
AE73550J	7/8-14	2.83	2.06	2.44	1.37	AE73102N	1.82
AE73550K	1 1/16-12	2.76	1.90	2.44	1.37	AE73102P	2.00
AE73550M	1 5/16-12	3.12	2.19	2.72	1.62		
AE73550N	1 3/8-12	2.95	1.98	3.14	1.88		
AE73550P	1 7/8-12	3.18	2.08	3.43	2.12		

AIRCRAFT COUPLING HALF



CAP ASSEMBLY



Aircraft Coupling Half					Cap Assembly	
Part Number	Thread T	A DIM	B DIM	C DIM	Part Number	E DIM
AE73656E	7/16-20	1.25	2.16	.80	AE87430F	1.06
AE73656F	1/2-20	1.25	2.16	.80	AE87430H	1.22
AE73656G	9/16-18	1.55	2.54	1.02	AE87430K	1.45
AE73656H	3/4-16	1.55	2.72	1.02	AE87430M	1.71
AE73656J	7/8-14	1.84	3.10	1.47	AE87430N	1.33
AE73656K	1 1/16-12	1.84	3.29	1.47	AE87430P	1.59
AE73656M	1 5/16-12	2.04	3.49	1.74		
AE73656N	1 3/8-12	1.83	3.33	1.98		
AE73656P	1 7/8-12	1.93	3.45	2.24		



Eaton Aeroquip
 Engineered Systems Division
 300 South East Avenue
 Jackson, Michigan 49203-1972
 517/787-8121, Fax: 517/787-5758
www.aeroquip.com

Specifications subject to change without notice.
 Aeroquip products are protected by patents internationally.