

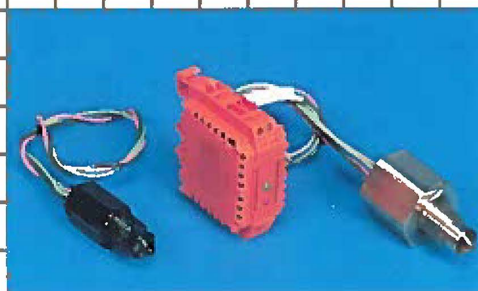
Tedeco Division

Request Quote



HERBER

**Industrial Fluid System
Products**

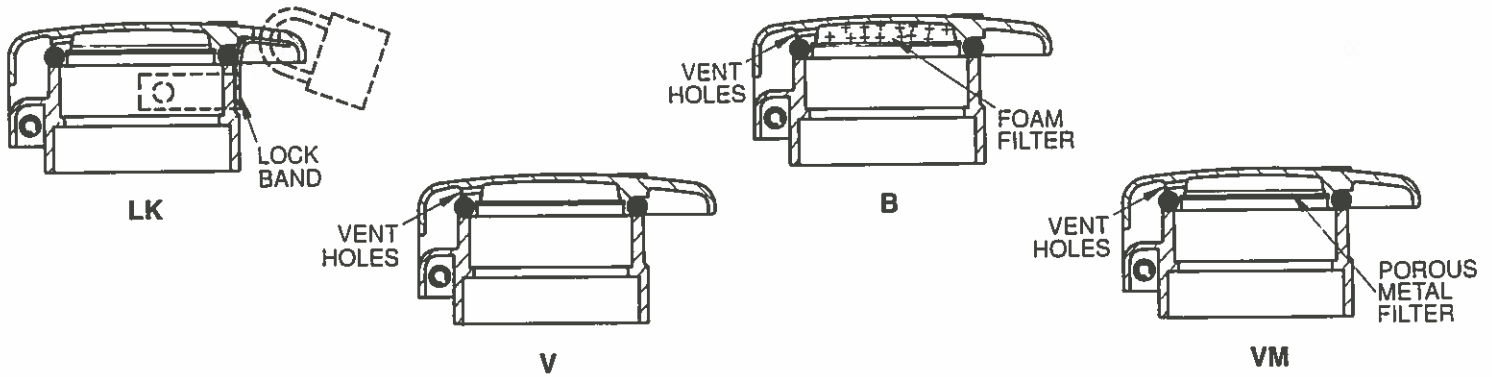


Made in U.S.A.

Snap Caps

STANDARD ACCESSORIES

Tedeco has combined the three standard sizes of snap caps, with five mounting versions, with a lock band feature, or a special long hinge pin (so the cap will not stay open) and three types of breathers to fit your application.



Ordering Information

The Tedeco Snap-Cap modular design affords a wide variety of standard options to suit your application; optional features include: locking bands (**LK**), to pad lock filler in the closed position; vent holes (**V**), to relieve system pressure fluctuations; foam filter (**B**), to filter incoming air in routine applications, and micron filtration (**VM**), for superior air filtration. Once opened, standard filler caps remain in the open position; for automatic closure, order option (**P**). See the table on the right for ordering examples.

Follow this model number format and sequence:

Basic Model Number	Lock Band	Vent	Foam Filter	Micron Filter	Auto-close
MF921 MF952, etc.	LK	V	B	VM	P

Example: MF952 cap, lock band, vent, and auto-close feature:

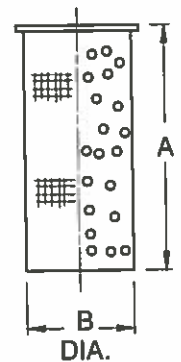
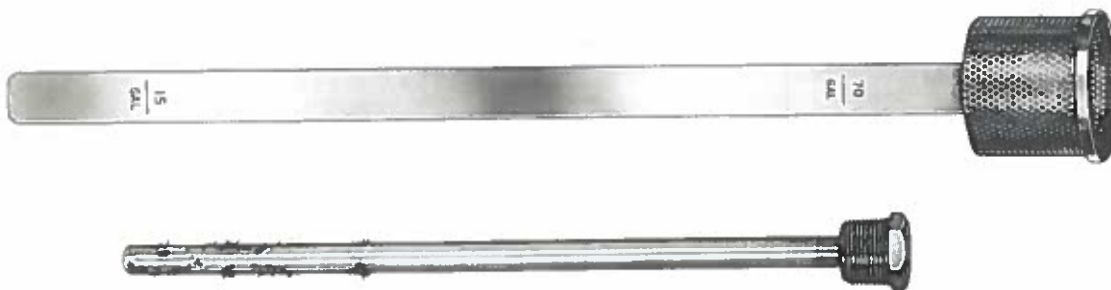
MF952	LK	V			P
-------	----	---	--	--	---

Order: MF952LKVP

Remember, when ordering vent or filter options, use only one designator: **V, B, or VM**; for non-vented caps, omit the designator. For standard "stay-open" caps omit the "P".

Example: MF921 cap, non-vented, and standard "stay-open" feature order: MF921.

STRAINERS AND DIPSTICKS



Tedeco has provided strainers to fit all snap caps in various diameters and lengths in all mesh sizes from #20 to #200. We can fabricate any style to fit your special requirements. Additionally, we have standardized on one common strainer for each size to suit most applications. Please consult the table on the right.

Tedeco can provide dipsticks to fit any of the standard snap cap units. The dipstick may be of any material and chemical finish, length, and have special markings. Round dipsticks with magnets inside may also be furnished on request.

Model	A	B	Material	Fits Filler Cap Model
MF9072A	.81	.80	#30 Mesh S S	MF950
MF965	2.37	1.00	#20 Mesh Steel	MF911
MF981-3	3.00	1.87	#20 Mesh Brass	MF921

All dimensions in inches unless specified otherwise.

For more than 45 years, the Tedeco Division of Vickers, Incorporated has been a leader in the production of fluid system products for industrial applications. Innovation, quality, and superior product design and performance exemplify our commitment to meeting our customers' requirements.

Today, Tedeco is the undisputed market leader worldwide for lube system diagnostics and systems monitoring products. And this leadership position is backed by a comprehensive network of company representatives and customer support facilities that offer the quick response needed for design and prototyping. Experienced engineering personnel and state-of-the-art machining provide the right combination of resources to understand the requirements of our customers and supply the products to meet those requirements.

The Tedeco Division of Vickers is poised to serve you. Challenge us to show you how we can help.



Vickers, Incorporated
Tedeco Division
401 Minnetonka Road
Hi-Nella, NJ 08083
Phone: 609-784-3030
Fax: 609-784-0153

Vickers, Incorporated
Tedeco Division
24 East Glenolden Ave.
Glenolden, PA 19036
Phone: 610-583-9400
Fax: 610-583-3985

Aeroquip-Vickers Limited
Tedeco Division
Larchwood Avenue
Bedhampton
Hants P09 3QN England
Phone: 1705-487251
Fax: 1705-492400

VICKERS