

Tedeco Division

Request Quote

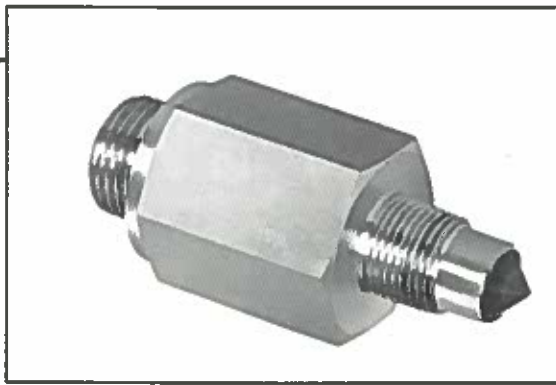


HERBER

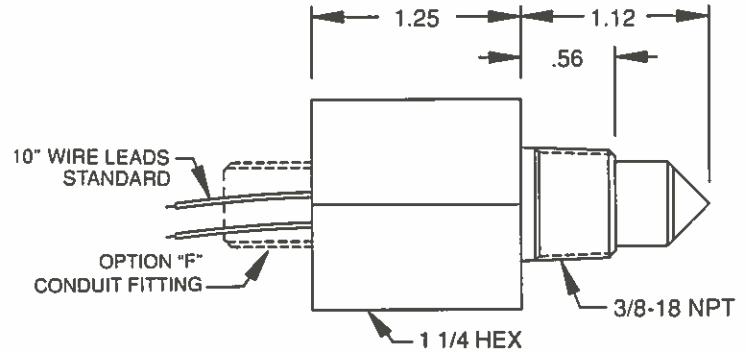
**Industrial Fluid System  
Products**



Made in U.S.A.



## ■ MLO-140 SERIES, D.C. SUPPLY

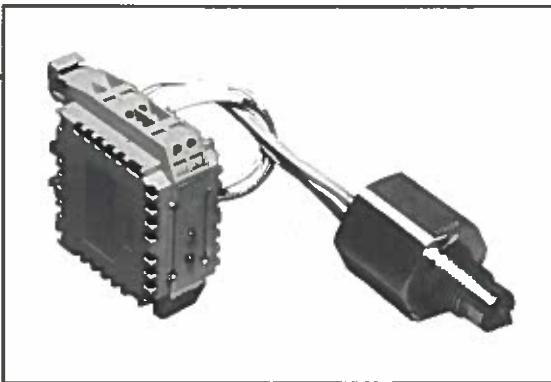


### Standard Features

- Operating Temperature: ..... -67°F to +257°F (-55°C to +125°C)
- Maximum Operating Pressure: ..... 200 psi on Prism Face\*
- Input Voltage: ..... 9-28 VDC  
In two ranges\* (see chart).
- Output Current (Open Collector Transistor): ..... 100 mA max.\*
- Dimensions: ..... As per figure above.
- Wrench Hex: ..... 1.25 in.
- Installation Fitting: ..... 3/8-18 NPT.
- Special Features: ..... F= Conduit Fitting

\*Other ratings available on special order.

Model	D.C. Input Voltage	Time Delay (sec.)	Material		Prism in Liquid Output is
			Housing	Prism	
MLO-140-05	9-16	—	S.S.	Glass	Off
MLO-140-06	9-16	5	S.S.	Glass	Off
MLO-140-07	9-16	—	S.S.	Glass	On
MLO-140-08	9-16	5	S.S.	Glass	On
MLO-140-25	20-28	—	S.S.	Glass	Off
MLO-140-26	20-28	5	S.S.	Glass	Off
MLO-140-27	20-28	—	S.S.	Glass	On
MLO-140-28	20-28	5	S.S.	Glass	On



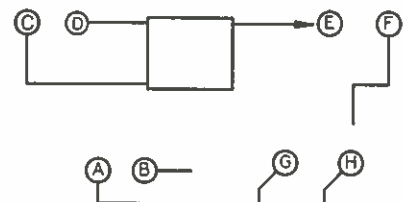
## LevelPro Indicating Module

### ■ MODEL 3P3150 SERIES, D.C. POWER AND LED ANNUNCIATION

Model 3P3150 series modules provides D.C. power and LED annunciation for the electro-optic sensors shown on pages 2 and 3. A SPDT dry relay contact, which can be used as a pump motor control, for example, is included in this package. This unit is DIN rail mountable and is available in several input voltage configurations.

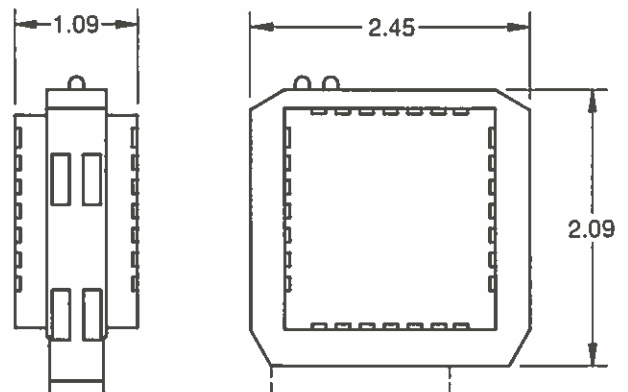
### Specifications

- Input Voltage: Model 3P3150-1 ..... 12-28 VAC/VDC  
Model 3P3150-2 ..... 90-150 VAC, 50-60 Hz  
Model 3P3150-3 ..... 200-250 VAC, 50-60 Hz
- Sensor Supply Voltage: ..... 12 VDC
- Output: ..... SPDT, 10 Amp (resistive)
- Operating Temperature: ..... 0°F to +130°F (-18°C to +54°C)  
(0-95% relative humidity non-condensing)
- Physical: ..... DIN rail mount
- Indicators: ..... LED Power On  
Sensor On



#### Terminals:

- |                      |      |
|----------------------|------|
| A Power In           | F NO |
| B Power In           | G C  |
| C DC Out +           | H NC |
| D DC Out -           |      |
| E Signal From Sensor |      |



All dimensions in inches unless specified otherwise.

**F**or more than 45 years, the Tedeco Division of Vickers, Incorporated has been a leader in the production of fluid system products for industrial applications. Innovation, quality, and superior product design and performance exemplify our commitment to meeting our customers' requirements.

Today, Tedeco is the undisputed market leader worldwide for lube system diagnostics and systems monitoring products. And this leadership position is backed by a comprehensive network of company representatives and customer support facilities that offer the quick response needed for design and prototyping. Experienced engineering personnel and state-of-the-art machining provide the right combination of resources to understand the requirements of our customers and supply the products to meet those requirements.

The Tedeco Division of Vickers is poised to serve you. Challenge us to show you how we can help.



Vickers, Incorporated  
Tedeco Division  
401 Minnetonka Road  
Hi-Nella, NJ 08083  
Phone: 609-784-3030  
Fax: 609-784-0153

Vickers, Incorporated  
Tedeco Division  
24 East Glenolden Ave.  
Glenolden, PA 19036  
Phone: 610-583-9400  
Fax: 610-583-3985

Aeroquip-Vickers Limited  
Tedeco Division  
Larchwood Avenue  
Bedhampton  
Hants P09 3QN England  
Phone: 1705-487251  
Fax: 1705-492400

**VICKERS**